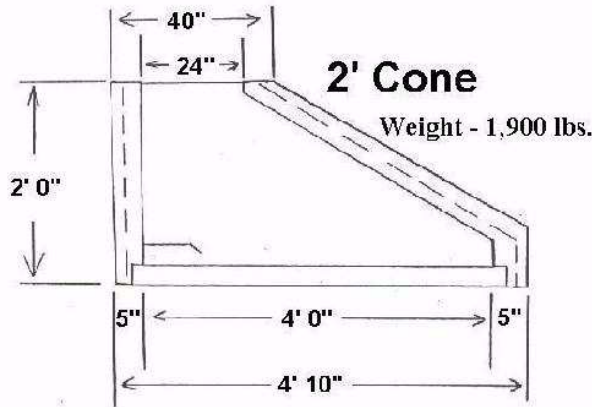


Flat Cover

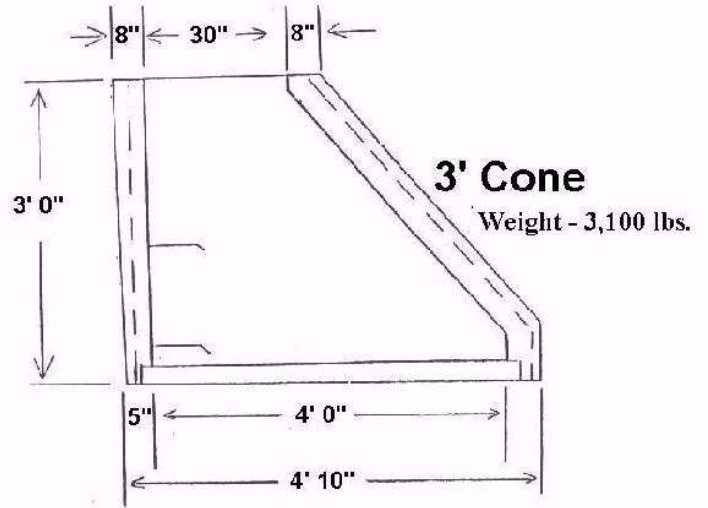
Standard Flat Cover Openings
24" or 30"
Round or Square

Opening in Flat Cover Can Be
Fabricated to Accomodate
Different Cast Iron or Hatch Sizes



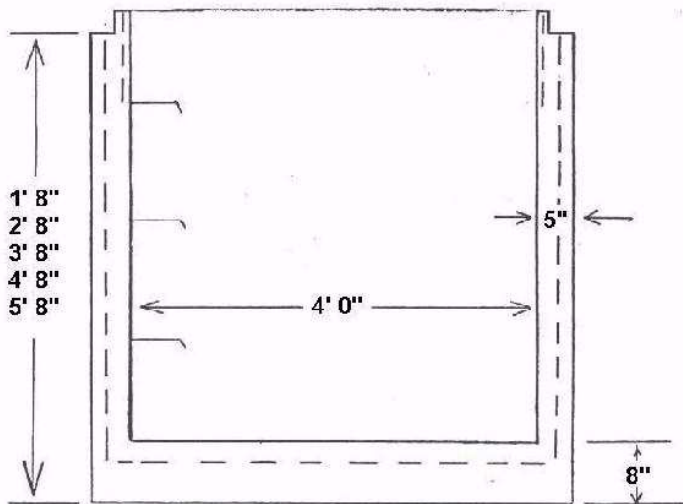
2' Cone

Weight - 1,900 lbs.



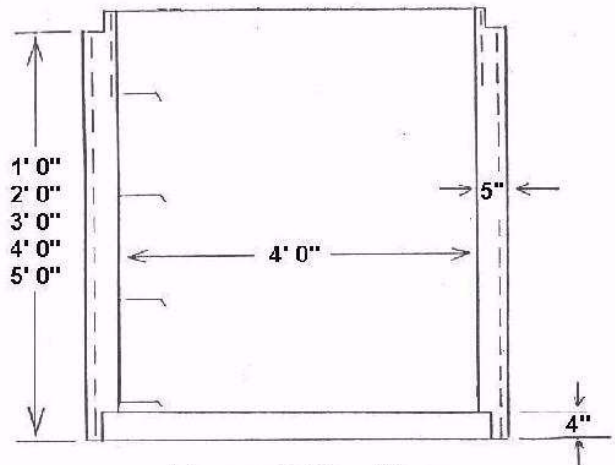
3' Cone

Weight - 3,100 lbs.



Base Section

Weight:
-1,820 lbs. for Base
-120 lbs. for Lip
- 860 lbs. per Vertical Foot



Barrel Section

Weight - 860 lbs. per Vertical Foot

Concrete - 4000 psi @ 28 days
Designed for AASHTO H-20 Loading
Concrete and Reinforcing as per ASTM C-478

4' Diameter Manhole

Grimm Building Materials Co., Inc.

Phone - (518) 272-1100 Fax - (518) 272-0229

Precast Concrete Division

96 Albany Avenue

P.O. Box 157

Green Island - Troy, New York 12181

www.grimmbldg.com