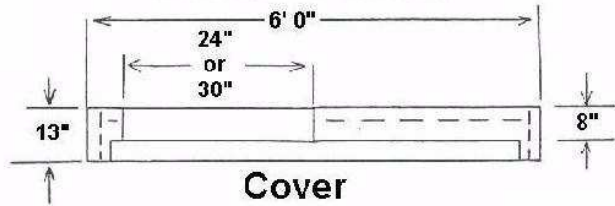
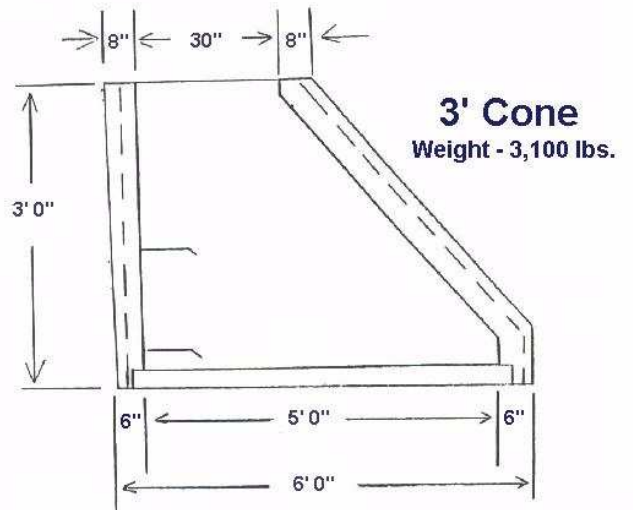


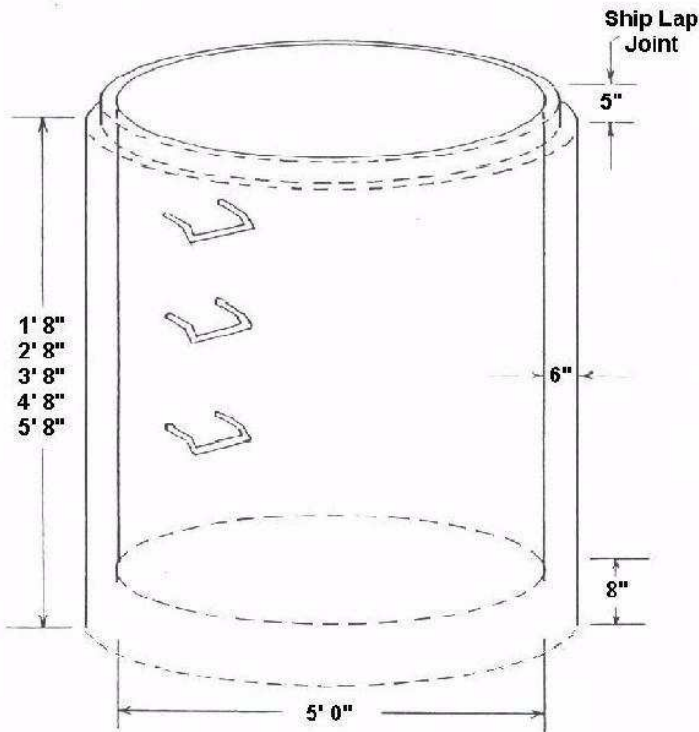
Flat Cover Openings
24" or 30"
Round or Square
On Center or Eccentric



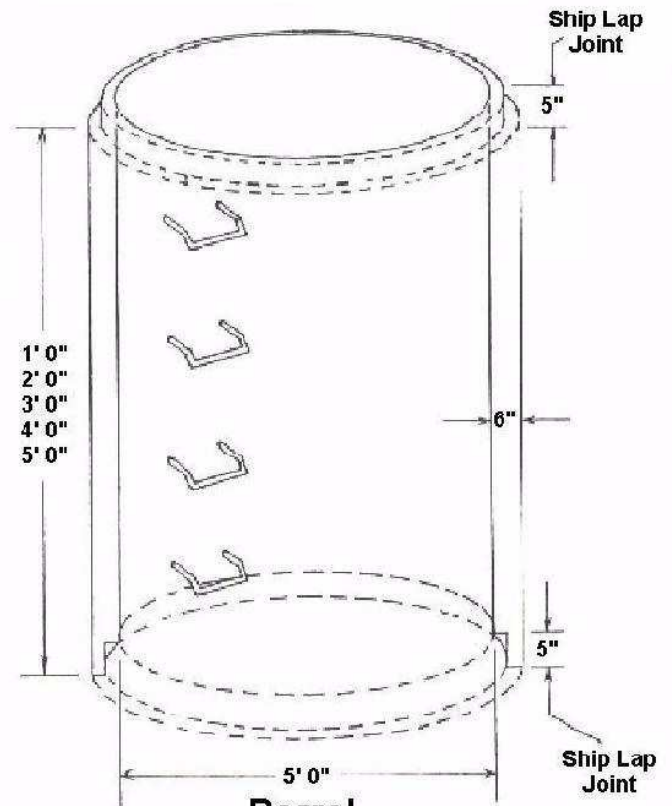
Cover
Weight - 2,650 lbs.



3' Cone
Weight - 3,100 lbs.



Base
Weight:
1' 8" - 4,069 lbs.
2' 8" - 5,400 lbs.
3' 8" - 6,700 lbs.
4' 8" - 8,000 lbs.
5' 8" - 9,300 lbs.



Barrel
Weight - 1,300 lbs. per Vertical Foot

Concrete - 4000 psi @ 28 days
Designed for AASHTO H-20 Loading
Concrete and Reinforcing as per ASTM C-478

5' Diameter Manhole

Grimm Building Materials Co., Inc.

Phone - (518) 272-1100 Fax - (518) 272-0229

Precast Concrete Division

96 Albany Avenue

P.O. Box 157

Green Island - Troy, New York 12181

www.grimmbldg.com